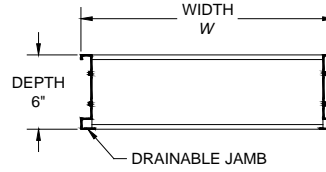
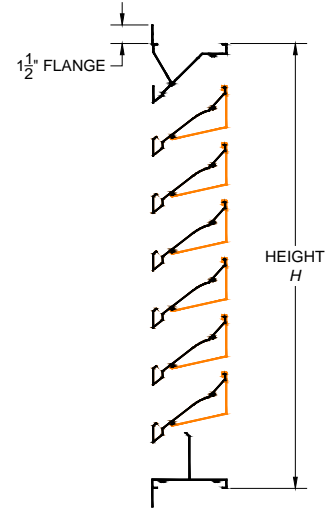
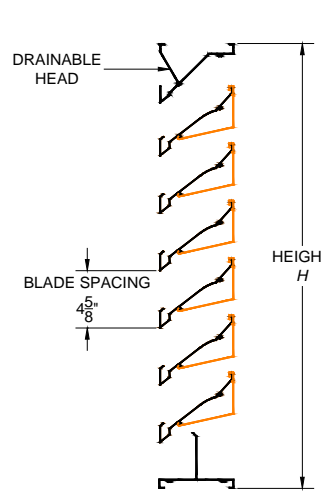
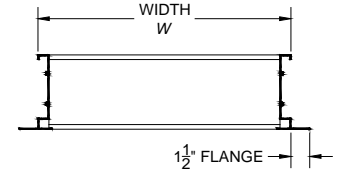


**MODEL: 2630**  
**FRAME: CHANNEL FRAME**  
**DUCT-MOUNT (DM)**



**MODEL: 2635**  
**FRAME: FLANGE FRAME**  
**FLANGE-MOUNT (FM)**



PERFORMANCE			
LOUVER UNIT SIZE	TOTAL AREA	FREE AREA	FREE AREA
48" x 48"	16 ft <sup>2</sup>	8.30 ft <sup>2</sup>	<b>51.9%</b>
(1219 x 1219 mm)	(1.49 m <sup>2</sup> )	(0.77 m <sup>2</sup> )	
BEGINNING POINT OF WATER PENETRATION AT 0.01 oz./ft <sup>2</sup> FREE AREA:			<b>1100 FPM</b>

STANDARD CONSTRUCTION	
DEPTH:	6" (152 mm)
MATERIAL:	EXTRUDED ALUMINUM - 6063-T5 ALLOY
FRAME THICKNESS:	0.095" (2.41 mm)
BLADE THICKNESS:	0.081" (2.06 mm)
BLADE ANGLE:	40°
BLADE CENTRES:	4.625" (117 mm)
BIRDSCREEN:	19 GA. GALVANIZED BIRDSCREEN - 1/2" x 1/2" OPENINGS
FINISH:	MILL

SIZE LIMITATIONS: SINGLE SECTION LOUVER		
	MINIMUM	MAXIMUM
WIDTH	16" (406 mm)	72" (1829 mm)
HEIGHT	16" (406 mm)	120" (3048 mm)
AREA	1.8 ft <sup>2</sup> (0.17 m <sup>2</sup> )	60 ft <sup>2</sup> (5.57 m <sup>2</sup> )

\*LOUVER WILL BE MANUFACTURED 1/4" (6.4 mm) SMALLER (SINGLE SECTION) AND 1/2" (12.7 mm) SMALLER (MULTIPLE SECTION) THAN GIVEN OPENING DIMENSIONS UNLESS OTHERWISE SPECIFIED

AVAILABLE ACCESSORIES		
<b>FINISH:</b> <ul style="list-style-type: none"> <li>• BAKED ENAMEL FINISH</li> <li>• DURANAR FINISH</li> <li>• ANODIZED FINISH                             <ul style="list-style-type: none"> <li>○ CLEAR ANODIZED</li> <li>○ LIGHT BRONZE</li> <li>○ MEDIUM BRONZE</li> <li>○ DARK BRONZE</li> <li>○ BLACK ANODIZED</li> </ul> </li> <li>• EXTENDED SILLS</li> <li>• SECURITY BARS</li> <li>• FILTER RACKS</li> <li>• STAINLESS STEEL FASTENERS</li> <li>• HINGED ACCESS DOORS</li> <li>• ALL WELDED CONSTRUCTION</li> <li>• CUSTOM GEOMETRIC SHAPES</li> <li>• CONTINUOUS LINE CONSTRUCTION IS <i>NOT</i> RECOMMENDED*</li> </ul>	<b>SCREENS:</b> <ul style="list-style-type: none"> <li>• BIRDSCREEN                             <ul style="list-style-type: none"> <li>○ 1/2" x 1/2" INTER CRIMPED ALUMINUM</li> <li>○ ALUMINUM BIRDSCREEN WITH FRAME</li> </ul> </li> <li>• INSECT SCREEN                             <ul style="list-style-type: none"> <li>○ 18 x 14 MESH</li> </ul> </li> </ul>	<b>BLANK-OFF PANELS (ALUMINUM):</b> VARIOUS GAUGES <ul style="list-style-type: none"> <li>• NON-INSULATED BLANK-OFF PANELS</li> <li>• INSULATED BLANK-OFF PANELS                                     <ul style="list-style-type: none"> <li>○ 1" (25.4 mm) INSULATION</li> <li>○ 2" (50.8 mm) INSULATION</li> </ul> </li> </ul>



LOUVERS & BACK DRAFT DAMPERS

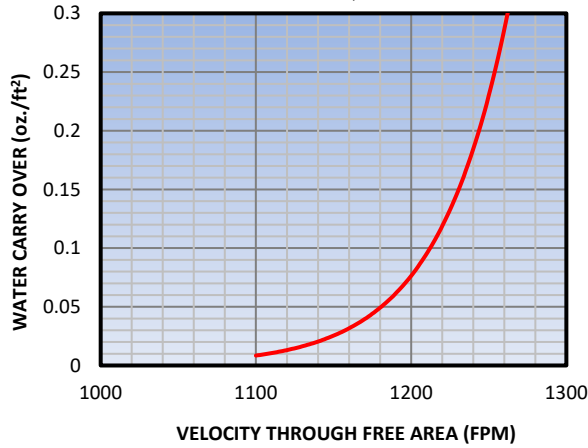
**2630 / 2635**  
6" DEEP DRAINABLE LOUVER

**FREE AREA (Sq. Ft.)**

		WIDTH (INCHES)														
		16	20	24	28	32	36	40	44	48	52	56	60	64	68	72
HEIGHT (INCHES)	16	0.61	0.79	0.97	1.15	1.32	1.50	1.68	1.86	2.04	2.22	2.39	2.57	2.75	2.93	3.11
	20	0.84	1.08	1.32	1.57	1.81	2.05	2.30	2.54	2.78	3.03	3.27	3.51	3.76	4.00	4.24
	24	1.15	1.49	1.82	2.16	2.49	2.82	3.16	3.49	3.83	4.16	4.50	4.83	5.17	5.50	5.84
	28	1.41	1.82	2.23	2.64	3.05	3.46	3.87	4.28	4.70	5.11	5.52	5.93	6.34	6.75	7.16
	32	1.59	2.05	2.52	2.98	3.44	3.91	4.37	4.83	5.29	5.76	6.22	6.68	7.15	7.61	8.07
	36	1.79	2.31	2.83	3.35	3.87	4.39	4.91	5.44	5.96	6.48	7.00	7.52	8.04	8.56	9.08
	40	2.02	2.61	3.20	3.79	4.37	4.96	5.55	6.14	6.73	7.31	7.90	8.49	9.08	9.67	10.25
	44	2.26	2.92	3.58	4.23	4.89	5.55	6.21	6.86	7.52	8.18	8.84	9.49	10.15	10.81	11.47
	48	2.49	3.22	3.94	4.67	5.39	6.12	6.85	7.57	8.30	9.02	9.75	10.47	11.20	11.92	12.65
	52	2.81	3.62	4.44	5.25	6.07	6.89	7.70	8.52	9.33	10.15	10.97	11.78	12.60	13.41	14.23
	56	3.05	3.93	4.82	5.71	6.59	7.48	8.37	9.25	10.14	11.03	11.91	12.80	13.68	14.57	15.46
	60	3.29	4.24	5.20	6.15	7.11	8.06	9.02	9.98	10.93	11.89	12.84	13.80	14.75	15.71	16.67
	64	3.66	4.73	5.79	6.86	7.92	8.99	10.05	11.12	12.18	13.25	14.31	15.38	16.44	17.51	18.58
	68	3.66	4.73	5.79	6.86	7.92	8.99	10.06	11.12	12.19	13.25	14.32	15.38	16.45	17.51	18.58
	72	3.90	5.03	6.17	7.30	8.44	9.57	10.71	11.84	12.98	14.11	15.25	16.38	17.52	18.65	19.78
	76	4.13	5.34	6.54	7.74	8.94	10.15	11.35	12.55	13.75	14.96	16.16	17.36	18.56	19.77	20.97
80	4.36	5.63	6.89	8.16	9.43	10.70	11.96	13.23	14.50	15.77	17.03	18.30	19.57	20.84	22.10	
84	4.73	6.11	7.49	8.86	10.24	11.62	12.99	14.37	15.74	17.12	18.50	19.87	21.25	22.63	24.00	
88	4.94	6.37	7.81	9.24	10.68	12.12	13.55	14.99	16.42	17.86	19.30	20.73	22.17	23.60	25.04	
92	5.23	6.75	8.28	9.80	11.32	12.84	14.36	15.89	17.41	18.93	20.45	21.97	23.50	25.02	26.54	
96	5.31	6.85	8.40	9.94	11.49	13.03	14.58	16.12	17.67	19.21	20.76	22.30	23.85	25.39	26.94	
100	5.54	7.15	8.77	10.38	11.99	13.60	15.21	16.83	18.44	20.05	21.66	23.27	24.89	26.50	28.11	
104	5.78	7.46	9.15	10.83	12.51	14.19	15.87	17.55	19.24	20.92	22.60	24.28	25.96	27.65	29.33	
108	6.01	7.75	9.50	11.25	12.99	14.74	16.49	18.24	19.98	21.73	23.48	25.22	26.97	28.72	30.47	
112	6.28	8.10	9.93	11.76	13.58	15.41	17.23	19.06	20.89	22.71	24.54	26.36	28.19	30.02	31.84	
116	6.55	8.45	10.36	12.26	14.17	16.07	17.98	19.88	21.79	23.70	25.60	27.51	29.41	31.32	33.22	
120	6.82	8.81	10.79	12.77	14.76	16.74	18.73	20.71	22.70	24.68	26.66	28.65	30.63	32.62	34.60	

**WATER PENETRATION - 2630 / 2635**

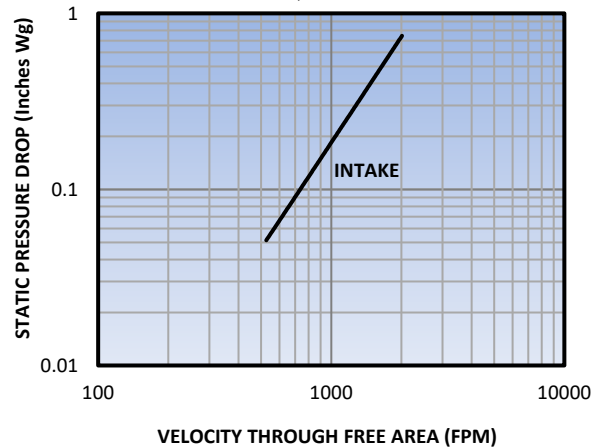
15 MINUTE DURATION, TEST SIZE 48" x 48"



BEGINNING POINT OF WATER PENETRATION AT 0.01 oz./ft² FREE AREA IS 1100 FPM

**PRESSURE DROP- 2630 / 2635**

FIGURE 5.5, TEST SIZE 48" x 48"



\*TEST RESULTS DO NOT INCLUDE THE EFFECTS OF BIRDSCREEN

**RECOMMENDED SPECIFICATION**

Furnish and install stationary louver models 2630 / 2635 as manufactured by Ventex Inc, Bolton, Ontario. Louvers must be licensed to bear the AMCA seal. Louvers shall be 6" (152 mm) deep. Blades shall be 0.081" (2.06 mm) extruded 6063-T5 aluminum alloy and frame shall be 0.095" (2.41 mm) extruded 6063-T5 aluminum alloy. Louvers shall have 19 gauge galvanized 1/2" x 1/2" birdscreen. All materials shall be factory finished after assembly with Polyester Power Coat in a color selected from the Ventex Color Chart.

**CERTIFIED RATINGS**

Ventex Inc. certifies that the models 2630 / 2635 shown here are licensed to bear the AMCA Seal. The ratings shown are based on tests and procedures performed in accordance with AMCA Publication 511 and comply with the requirements of the AMCA Certified Ratings Program. The Certified Ratings Seal applies to air performance and water penetration ratings.

